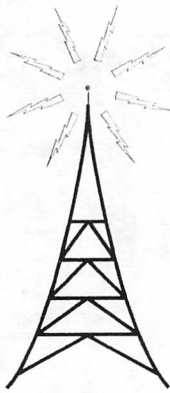


# SARS RADIO CLUB



## WINTER 1-2000



# Southeastern Antique Radio Society

## Atwater Kent

### The Man and His Radios

*By Ralph Williams*

## GENERAL INFO

Southeastern Antique Radio Society  
P.O. Box 1055  
Tucker, GA 30085-1055  
Club Officers

President: Gordon Hunter  
(770) 475-0713 gwhunter@earthlink.net

Vice President: Marty Reynolds  
(404) 365-9280 marty@aa4m.ba-watch.org

Secretary/News Bulletin: Bob Niven  
(770) 586-5816 bobwiz@aol.com

Treasurer: Frank Lindaeur  
(770) 934-4294 cad49@mindspring.com

## NOTICE:

# SARS Will NOT have

# our traditional Spring meet just prior to the Charlotte show.

Atwater Kent was a thrifty New Englander born in Vermont, educated in Massachusetts who invented the closely timed ignition system, and operated the world's largest radio factory in



Pennsylvania. Some key dates: Birth 1873, First manufacturing 1896, Philadelphia move 1902, Ignition Systems 1907, First radio instruments 1921, Open set 1922, Mahogany box sets 1924, Metal box sets 1926, Superheterodynes 1930, Closed plant 1936.

Kent was always interested in automobiles and, particularly, in the means of igniting internal combustion engines. He patented the Contactor, a breaker point mechanism, and the distributor to

enable the use of a single coil. Income from his ignition systems enabled Kent to enter the radio business with a fully equipped manufacturing facility, a national service organization and an appealing concept, the Open Set. (We call them breadboards.)

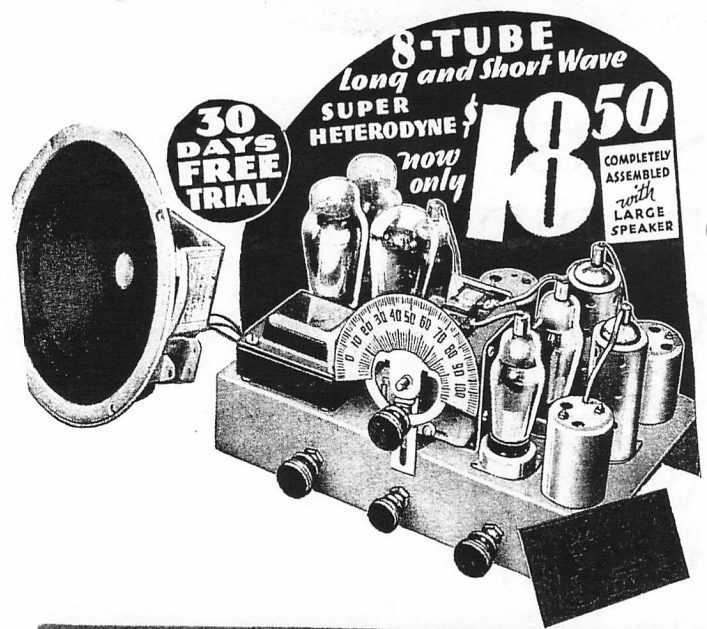
Kent brought the best minds of his time into his organization to do radio design, factory operation, marketing and product advertising. He was demanding of his people, but fair. He was also very careful of his Company's reputation. His radios were of very high quality and reliability with strong customer appeal to the middle class. Kent's customers often bought another Atwater Kent radio to replace an earlier one that lacked the newer features.

Atwater Kent (contd..)

After entering the radio receiver market with Models 1 through 8, Kent put it all together with Model 10. The set had two radio frequency amplifiers, a detector and two audio frequency amplifiers, all assembled on a mahogany board but having neither panel nor enclosure. Its price was moderate, its performance was adequate and its appeal was immediate to the listeners of the twenties and continuing to the collectors of the nineties.

The circuit of the Model 10 was continued in nearly all the Atwater Kent radio sets of the middle twenties. It was finally displaced by the screen-grid tube in Model 55 and the Superheterodyne circuit of the Model 70 series. During the 1930's Kent brought a new cycle of about 15 radios each year. Included were: Consoles, Compacts (table models), Auto radios, Direct Current sets, Battery sets and radios using 32 volt power for farm and rural use where commercial power was not available.

In the middle thirties Kent recognized the changing market for radio receivers. His business was based on moderately priced consoles with a tolerance for high-quality table models. However, he did not accept the market for cheap sets and preferred to close down rather than compromise his name and reputation. In 1936 Kent closed the factory and moved to California where he spent a well earned retirement until his illness and death in 1949.



## S. CAROLINA - Jan. 29

CAROLINAS CHAPTER - AWA  
WINTER SWAP MEET

Columbia, SC - Coughman Road Park  
8 am-Noon

Info: Carl Shirley - (803) 776-6850  
shirleyc@garnet.cla.sc.edu - CC-AWA.org

RCA RAD IOTRON		
PRICE LIST		
WD-11,	\$3.00	Detector Amplifier
WX-12,	3.00	Detector Amplifier
UX-112A,	1.55	Amplifier Detector
UX-120,	3.00	Power Amplifier
UX-171A,	.95	Power Amplifier
UV-199,	2.75	Detector Amplifier
UX-199,	2.55	Detector Amplifier
UX-200A,	4.00	Detector
UX-201A,	.80	Detector Amplifier
RCA-210,	7.25	Power Amplifier Oscillator (A-C Filament)
UX-222,	3.15	Screen-Grid Radio Frequency Amplifier
UY-224A,	1.65	Screen-Grid Radio Frequency Amplifier (A-C Quick Heater)
UX-226,	.85	Amplifier (A-C Filament)
UY-227,	1.05	Detector Amplifier (A-C Heater)
RCA-230,	1.65	Detector Amplifier
RCA-231,	1.65	Power Amplifier
RCA-232,	2.35	Screen-Grid Radio-Frequency Amplifier
RCA-233,	2.80	Power Amplifier Pentode (D-C Filament)
RCA-234,	2.80	Super-Control R-F Amplifier Pentode
RCA-235,	1.65	Super-Control Radio Frequency Amplifier (A-C Heater)
RCA-236,	2.80	Screen-Grid Radio Frequency Amplifier (D-C Heater)
RCA-237,	1.80	Detector Amplifier (D-C Heater)
RCA-238,	2.80	Power Amplifier Pentode (D-C Heater)
RCA-239,	2.80	Super-Control R-F Amplifier Pentode (D-C Heater)
UX-240,	3.00	Voltage Amplifier Detector
UX-245,	1.15	Power Amplifier (A-C Filament)
RCA-46,	1.55	Dual-Grid Power Amplifier (A-C Filament)
RCA-247,	1.60	Power Amplifier Pentode (A-C Filament)
UX-250,	6.20	Power Amplifier (A-C Filament)
RCA-55,	1.60	Duplex-Diode Triode (A-C or D-C Heater)
RCA-56,	1.30	Super-Triode Amplifier (A-C Heater)
RCA-57,	1.65	Triple-Grid Amplifier (A-C Heater)
RCA-58,	1.65	Triple-Grid Super-Control Amplifier (A-C Heater)
UX-280,	1.05	Full-Wave Rectifier
UX-281,	5.20	Half-Wave Rectifier
RCA-82,	1.30	Full-Wave Mercury Vapor Rectifier
UX-841,	10.40	Voltage or R-F Power Amplifier (A-C Filament)
RCA-852,	28.00	100 Watt Oscillator or R-F Power Amplifier
RCA-864,	2.10	Amplifier Detector
RCA-865,	15.00	7.5 Watt Screen-Grid R-F Amplifier Oscillator
RCA-866,	7.50	Half-Wave Mercury Vapor Rectifier
RCA-868,	7.50	Phototube
UX-874,	4.90	Voltage Regulator
UY-876,	6.70	Current Regulator (Ballast Tube)
UY-886,	6.75	Current Regulator (Ballast Tube)

Effective June 27, 1932

Item No. 206-6-32

THE HEART OF YOUR RADIO

# Classifieds

## Wanted to buy

Looking to complete my collection of the 9(10) original metal tubes. These are easy to identify since the tube number is engraved (not inked) on the tube envelope. Need 6A8, 6C5, 6F5, 6F6, 6H6 and the 6D5. These are for display only so they need not work. C. Milton

**For Sale:** Radio Boys Books, 6 at \$8.00 ea or \$45.00 for all. Atwater Kent repair manual, 1 1/2" thick lots of info, 1928 copyright \$45.00. Wolf and Bear Cub Scout books on crystal sets, \$5.00 ea or \$9.00both. Emerson 706 Ivory, works, case good, grill crack \$65.00 all plus shipping. CEMILTON@aol.com  
Charlie Milton

## Wanted, Information

Alignment instructions for an L600 Zenith Transoceanic, or equivalent.

Mark Palmquist jmpalm@mindspring.com

**Wanted,**Dial lens for Emerson U5A  
David Martin, (770) 578-1279 or  
dmitarm@mindspring.com

## For Sale

Tesla Books  
1(800) 398-2056

## For Sale

CD Rom's Radio Era Archives  
(214) 358-5195 or www.radioera.com

**Wanted,** Chassis and or speaker for Crosley Wigit, 1936 Zenith 6 tube chassis 6S52, 6S27 etc. **For Sale:** several 1930's consoles, Zenith, GM, Gruno, Majestic. Larry Smith (770) 998-9874 or lsmith4234@aol.com

## For Sale

Reel to Reel Tape recorders, many types, also buy same. Jon Golden 3dman@ziplink.net

## Meeting Show and Tell Themes

Feb.. "B&C" Radios  
Mar. "D,E&J" Radios  
Apr.. "G,H&N" Radios  
May "P" Radios  
Jun.. "L,M&O" Radios  
Jul.. "Z" Radios  
Aug.. "Weird Stuff"  
Sept.. "S" Radios  
Oct.. "R" Radios  
Nov.. "F,K&T" Radios  
Dec.. "Anything goes"

## INTERESTING WEBB SITES

[www.ghostmoon.bigstep.com](http://www.ghostmoon.bigstep.com)  
(check the link to "AA5")  
[www.vacuumtube.com](http://www.vacuumtube.com)  
[www.svetlana.com](http://www.svetlana.com)

Jack's killer list of OTR sites  
[www.pe.net/~movak/jack.htm](http://www.pe.net/~movak/jack.htm)

## FREE:

Attend our winter meet and get a free copy of the patents that changed our world.

Lee DeForest #879,532 Feb. 1908 AUDION

W. Shockley #2,569,347 Sept. 1951 Transistor

SOUTHEASTERN ANTIQUE RADIO SOCIETY  
P.O. Box 1055  
Tucker, GA 30085-1055

MEMBERSHIP APPLICATION  
Info: (770) 475-0713 Gordon Hunter/President

DATE: \_\_\_\_\_ ( ) Full year ( ) Half year  
(Membership expires Jan. 1 ) (15.00) (7.50)

Name: \_\_\_\_\_  
Address: \_\_\_\_\_  
Address: \_\_\_\_\_  
City: \_\_\_\_\_ State: \_\_\_\_\_  
Zip Code: \_\_\_\_\_

Phone number: ( \_\_\_\_\_ ) \_\_\_\_\_ - \_\_\_\_\_  
E-Mail Address: \_\_\_\_\_  
Call Sign ( Amateur Radio Operators ) \_\_\_\_\_

Collecting Interests:

Tubes _____	Pre-War Plastics _____
Crystal Radios _____	Post-War Plastics _____
20's Radios _____	Catalin Radios _____
30's Radios _____	Console Radios _____
40's Radios _____	Specific Brand Radios _____, _____
50's Radios _____	_____, _____, _____
Transistor Radios _____	Televisions _____
Boat Anchors _____	
Other _____, _____, _____	
Comments: _____	
_____	
_____	

PLEASE MAKE CHECKS OUT TO: **SOUTHEASTERN ANTIQUE RADIO SOCIETY**

Thank you,

L. DE FOREST.  
SPACE TELEGRAPHY.  
APPLICATION FILED JAN. 29, 1907.

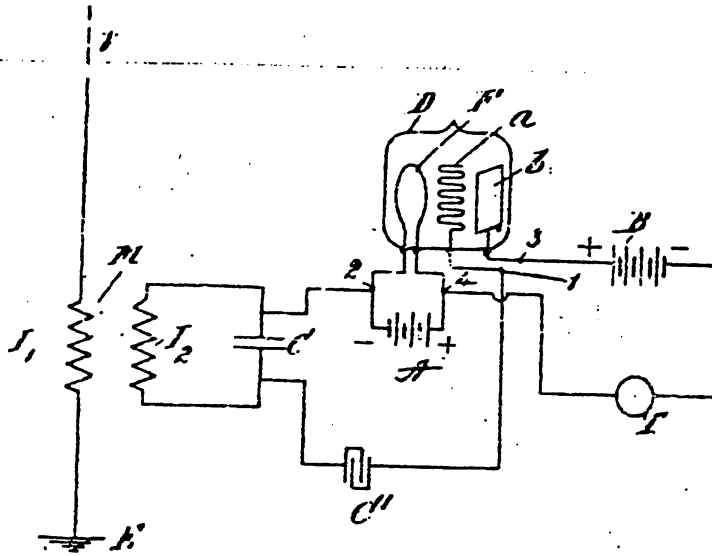


FIG. 1.

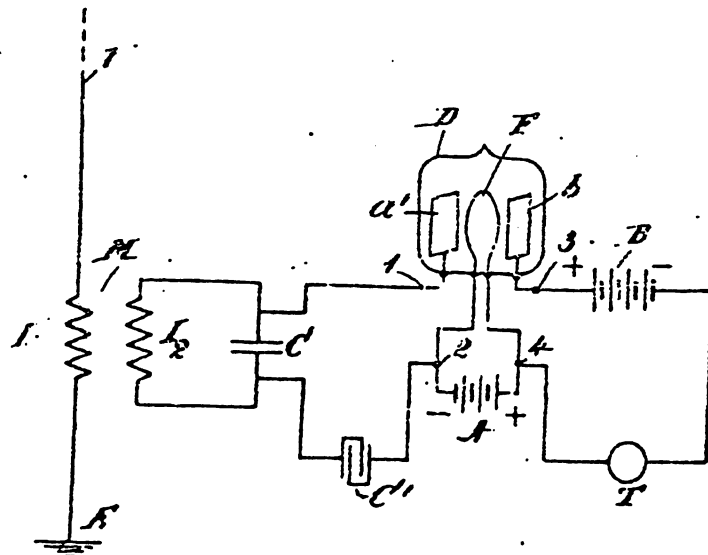


FIG. 2.

WITNESSES-  
E. B. Johnson  
Patrick J. Conroy

INVENTOR:  
Lee de Forest  
by Lester Woodworth,  
Attor.

## SECRETARIAL NOTES

by Bob Niven

1-10-00 January meeting

Meeting was called to order by Gordon Hunter at 6:35 PM, with 18 people attending. It was good to see a lot of members that have been absent a while. The February 12th meet was discussed. It was decided that people bringing their own tables would only have to pay \$10.00 for one space and \$5.00 for each additional since the club would not have to rent a table. It was also discussed that we need to get the word out that we will NOT have our traditional Spring meet ( the week before Charlotte). Our winter meet is taking its place. It was duely noted that radio station WGKA has been sold and will obviously be changing formats. The highlight of the meeting was a technical video explaining the theory of operation of AM transmitters and the Superhetrodyne Receiver. This was followed by an interesting show and tell of "A" radios. Meeting adjourned at 8:15 PM.

12-13-99 December Meeting

Meeting was called to order by Gordon Hunter at 7:00 PM with 11 members attending. Mike McKeel was visiting from Indiana and working on a new Corvaair of Gordons. The winter meet was discussed. Held on 12 February, from 8:00 AM to 12:00 PM. With live remote broadcast by WIMO radio station. 1300 on your AM dial. Marty Reynolds to contact local HAM radio clubs and invite them to join in. Marty played a recording of a QRP morse code exchange between himself and another amateur operator. Demonstrating how radio started. Summer meet will be in June and Fall meet in September. Show and tell and meeting adjourned at 7:35 PM.

# Group Tracks Down Rare Radio

By **BARBARA NAGY**  
Courant Staff Writer

**EAST HARTFORD** — It started with a few Hartford photographs from the 1920s and led to a six-month national search for an obscure type of radio.

Volunteers at the Vintage Radio and Communications Museum pooled their own money to buy a receiver they eventually found in Massachusetts. But they still haven't solved the mystery behind the photos: What happened to the Aetna Radiophone Corp. of America?

## **EAST HARTFORD**

The pictures show workers at the company, which briefly had a factory at the corner of Temple and Market streets in Hartford. The images were donated by someone whose uncle had worked there, according to John Ellsworth, president and founder of the nonprofit museum.

Volunteers were puzzled by the reference to Aetna Radiophone.

"None of us knew anything about it," Ellsworth said. Volunteers searched old Hartford phone books and found the company was listed only in 1922 and 1923. They found that Aetna, apparently no relation to the insurance company, was owned by H.P. Levy and Antonio Andretta.

They believe only one model was ever made by Aetna: a crystal radio in a leather box with a large center dial.

The volunteers took out an ad in a magazine for radio enthusiasts, found someone with an Aetna set near Boston, and bought it for a couple of hundred dollars. The radio and photographs are on display at the museum at 711 Main St. near the town hall.

"It's a neat local piece of history," Ellsworth said.

Edward Sax of West Hartford, one of the volunteers, said much early radio development was done in Connecticut. The state was known for its manufacturing, and with New York close by, radio flourished.

Ellsworth, a Southington science teacher who became interested in radio 18 years ago, said many companies existed only briefly before they were sold or went out of business. Radio technology was changing quickly — much as Internet technology is changing today — and equipment became obsolete quickly. Some companies couldn't keep up, Ellsworth said.

That may have been Aetna's fate, although one on-line reference suggests the company was sold to Walgreen Drug Co. of Chicago.

The museum has dozens of other local displays, besides the Aetna radio. There's a complete radio repair station used by a local worker, an old WVIT, Channel 30, TV camera, and dozens of radios — even one that looks like a Coke bottle. Twist the base to turn it on; twist the cap to change stations.

Volunteer Charles Griffen of West Hartford said the relative newness of the radio industry works against efforts to build the collection. People think the old radios, photos and parts have no value.

"I always think of the stuff that gets thrown away," he said, sorting through a box of books. A few minutes later, someone dropped off a couple of garbage bags stuffed with books, some toys and papers.

"I never know what I'm going to find from one week to the next," Griffen said. "You never know what's going to come in the door."

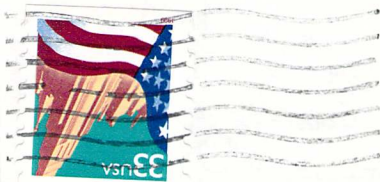
The volunteers hope someone with more information about the Aetna radio will call Ellsworth at 860-675-9916 or drop by the museum.



30024 30024 30024

John Pelham  
1185 Bend Creek Trail  
Suwanee, GA  
30024

Southeastern Antique Radio Society  
P.O. Box 1055  
Tucker, GA 30085-1055



**JOIN SARS!**

Dues are \$15, payable on a calendar-year basis. (Dues are pro-rated during the year: After June 30, pay \$7.50 for membership for the remainder of the year.) Send payment with name and address to SARS at the address above.

**SUPPORT YOUR CLUB!**

The Southeastern Antique Radio Society holds monthly meetings on the second Monday of each month at Piccadilly Cafeteria, 3400 Holcomb Bridge Road, Norcross, GA. Meetings start at approximately 6:30 PM. Most attendees arrive early and eat before the meeting. In addition to club business, meetings have a Show and Tell feature, where members bring items to display and discuss. All are encouraged to participate in this fun. See the schedule below, and map, right.

