

Winter 2007-2008 Newsletter

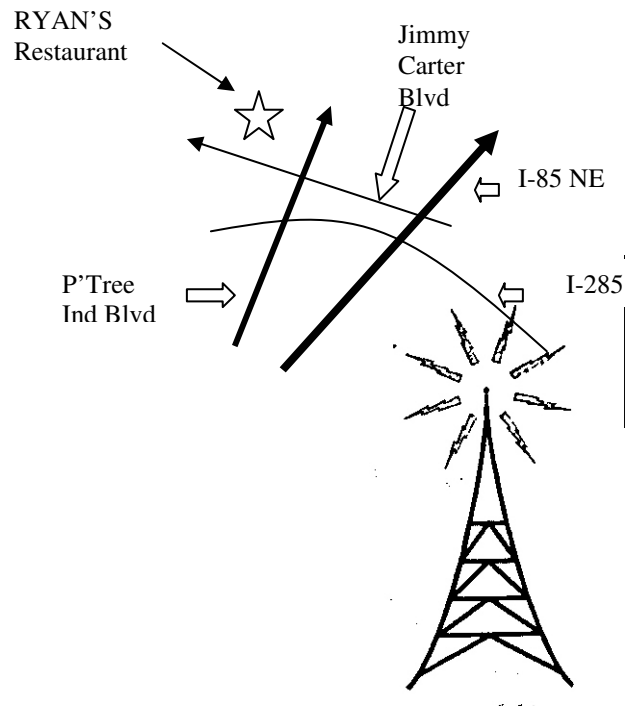
© 2002- 2008 Southeastern Antique Radio Society. ALL RIGHTS RESERVED. UNAUTHORIZED DUPLICATION PROHIBITED.
Caution: Performing repairs on radios could be dangerous. SARS assumes no responsibility for accidents resulting from any information contained in this web site or newsletters.

JOIN SARS! Dues are \$15 per calendar year. Join after June 30 and dues are pro-rated to \$7.50 for the remainder of the year. Send payment to the SARS address above.

SUPPORT YOUR CLUB!

The Southeastern Antique Radio Society meets on the second Monday of each month at RYANS Restaurant, 7045 Jimmy Carter Blvd. Norcross, GA 30093. Meetings start at approximately 6:30 PM. Most attendees arrive early and eat before the meeting. In addition to club business, meetings have a "Show and Tell" session where members bring in items to display and discuss. All are encouraged to participate in this activity. See the monthly schedule elsewhere in the newsletter and the map below.

**ANNUAL DUES ARE
NOW PAYABLE! ONLY \$15!
JOIN OR RENEW TODAY!**



SARS RADIO CLUB

Winter BULLETIN

February 2008

Check out our website! <http://www.sarsradio.com>

GENERAL INFO

**Southeast Antique Radio Society
113 Laurel Ridge Drive
Alpharetta, GA 30004**

Club Officers:

President: Mark Palmquist

Vice President: Gary Beale

**Publicity & Membership and
Newsletter Editor: Bob Niven**

Secretary: Jim DelPrincipe

Treasurer: Tom Knutson

Webmaster: Rich Rodgers

**Next Swap Meet: February 23, 2008 at 8:00 AM at the Doubletree Hotel,
Exit 7 off GA 400 in Roswell, GA, 1075 Holcomb Bridge Road. FREE to
buyers. For Sellers, \$15 for first table, \$10 Additional Tables**

Check <http://www.sarsradio.com> for details. See directions on Page 7.

Next Meeting:

Monday, February 11, 2008

**Show & Tell Topic Pre-1930 or Post-1950 Radios Discussion: Nanotube Radios
RYANS Restaurant Norcross 6:30 pm (Formerly Fire Mountain)**

President's Page Winter 2008 SARS Newsletter

By **Mark Palmquist**

It's an honor to have the opportunity to serve as President of the Southeastern Antique Radio Society (SARS) for the 2008 calendar year. I have been a member of the club since 1999, serving as newsletter editor for most of that time. Long-time member **Bob Niven** is now serving as editor, along with his position of Membership and Publicity Director for the club. Members are encouraged to write articles about their experiences collecting radios or share their expertise in repairing or restoring vintage radio gear. You can email them to **Bob** at bniv@hotmail.com.

Gary Beale is serving as Vice President for 2008. **Gary** is a high fidelity wizard and will be working to ensure that we have great discussion topics and show-and-tell subjects for our monthly meetings, held on the second Monday of each month at 6:30 pm at Ryan's Restaurant on Jimmy Carter Boulevard in Norcross. Members usually show up between 5:30 and 6:00 to sample the fine fare at the buffet-style all-you-can-eat establishment. A short business meeting follows dinner and then we have a show-and-tell with radios, memorabilia, test equipment or other gear brought to the meeting by those attending. Also included in the meeting is a program or discussion topic, usually led by a club member. Past topics have included speaker repair, grill cloth installation, radio direction finders, building transmitters and crystal radios and a demonstration of a vintage glide-slope transmitter and receiver used to help pilots stay on the right path to make a safe landing.

Past President and Ham operator **Jim DelPrincipe** is our secretary for 2008. **Jim's** 1000 KHz AM transmitter project was a hit at one of last year's meetings and many members have built them to allow broadcasting their iPod collection or CD collection to old radios around the house.

If you want to learn how to spot great radios at swap meets, talk to our Treasurer **Tom Knutson**. A whiz with the books and club finances, **Tom** also is a good resource for ideas on repair and refinishing of wood radios.

Webmaster and past President **Rich Rodgers** continues putting SARS on the map and on computers around the globe. **Rich** developed the SARS web site at <http://sarsradio.com> and manages the huge task of organizing all the photos, meeting notes, schedules, newsletter postings and links to other antique radio web sites. Thanks to **Rich** and his spouse **Teresa** for the kind hospitality they have shown each year in inviting club members to their home to see a great radio collection and for the annual SARS picnic.

I am proud to have such a great team of officers to help continue the growth of the club and to meet our goal of providing a venue for fellow radio collectors to meet, swap stories and radios, make new friends and help preserve the heritage that radio has played in our society.

Winter Swap Meet February 23

The big event on the horizon is the **2008 Winter Swap Meet** at the **Doubletree Hotel** in at 1075 Holcomb Bridge Road, Roswell on February 23. Last year's event was a huge success with a packed house. **Bob Niven** has informed the club that WSB radio personality **Mike Kavanaugh** has agreed to give a talk about the **History of WSB Radio** at the conclusion of the swap meet. The ballroom will be open for setup at 7:00 am and the buying-and-selling will go from 8:00 to approximately 10:00 am. After that **Marty Reynolds** will serve as auctioneer for a brief auction event, followed by **Mike's** presentation. Everything will wrap up by noon. After the meeting we will adjourn for lunch at a nearby local establishment (location to be announced at the swap meet). Food will NOT be served at the swap meet.

Battery Box for Tube Radios

By Bob Niven

This is a very simple, but handy project that can be used while troubleshooting or just playing those old radios without spending nearly \$200.00 for an AC powered power supply. The cost is only about \$12.00 to build. I purchased my batteries from the local Dollar Store. This is one case where I would buy Non-Alkaline batteries.

Treat the 9-Volt batteries with respect, when hooked up in series a dangerous voltage exists. Inadvertent contact with the terminals can cause a strong electrical shock!

Please keep the “Jumper” between the two battery sub-assemblies disconnected unless actually in use.

Start out by getting a wood based Cigar box from your local tobacco store. I used one that is paper-covered wood that cost me 50 cents. They also may have nicer all wood ones for a dollar or two. Make sure that the inside dimensions of the box are at least 1 ½” Deep (to fit a “D” cell battery and 5 ¼” Wide by 8 ¾” long.

List of Materials

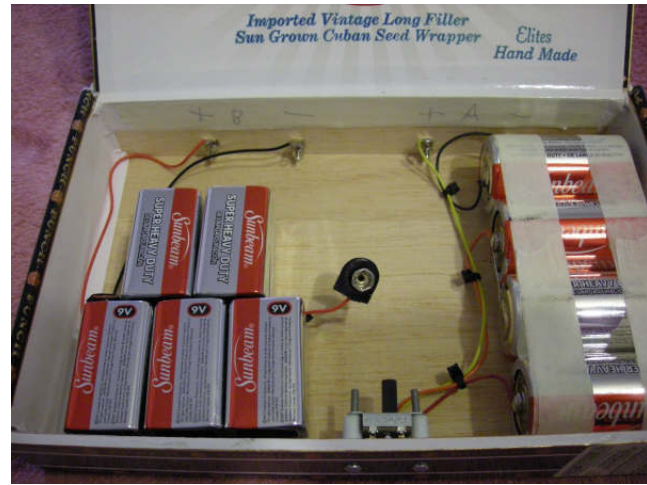
Qty	Description	Part #	Source	Cost
1	Cigar box		Tobacco Store	.50
10	9 Volt Battery	Heavy Duty	Dollar Store	5.00
4	“D” Cell Battery	Heavy Duty	Dollar Store	1.00
1Pkg	Red/Black Binding Posts	274-661	Radio Shack	3.99
1	DPDT Slide switch	MB-107	Bob Niven	.50
2	9 Volt battery connectors	MB-955	Bob Niven	.50
2	#4 by ½” spacers	MB-007	Bob Niven	.20
2	4-40 by ¾” Pan Head Phil.	MB-011	Bob Niven	.20
18”	Double sided foam tape			
A/R	20 or 22 AWG hook up wire			
A/R	Black electrical tape			
A/R	Labels			

Before you start, I soldered directly to the “D” cells, Radio Shack offers a 4 “D” cell holder, part # 270-389 at \$1.89, you might consider using this. I also opted NOT to solder to the 9-volt batteries by using snap connectors. I would recommend doing this and NOT soldering to the 9 volts directly. I can provide some of the listed parts or you can raid the junk box, as they are not critical. I would keep switches and jumpers inside to prevent accidental turn on.

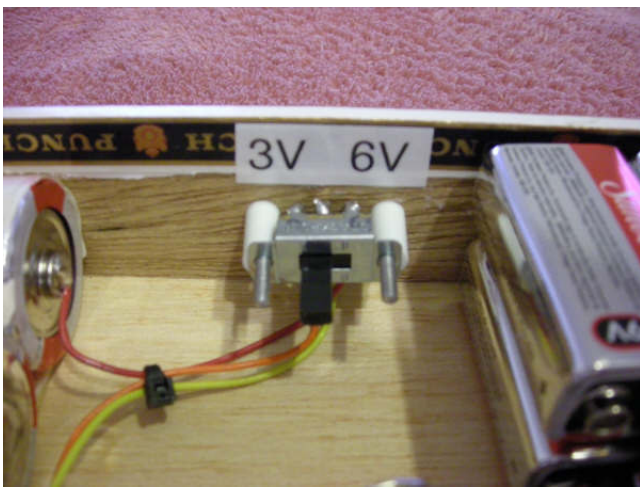
1. Start by removing any loose paper from the inside bottom of cigar box. Then drill 6 holes, two in back and 4 in the front. Use a 1/8” drill bit for all holes. I spaced the 4 holes in the front 2” from the corners and 1 ½ “ apart, with a ½” spacing up from the bottom.
2. The two holes in the back are for the 3/6V selector switch. The left hole is 4 ½” from the left corner of the box. The right hole is 13/16” to the right of the first hole. Both holes are spaced up ¾” from the bottom.
3. Blow out any sawdust from the box.



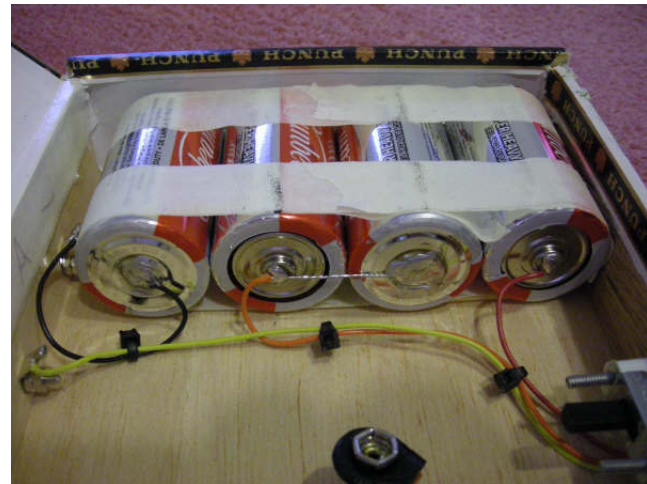
Outside finished unit



Inside view showing layout

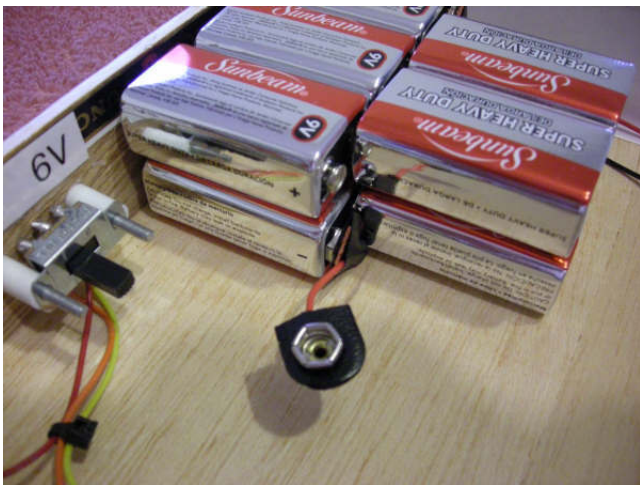


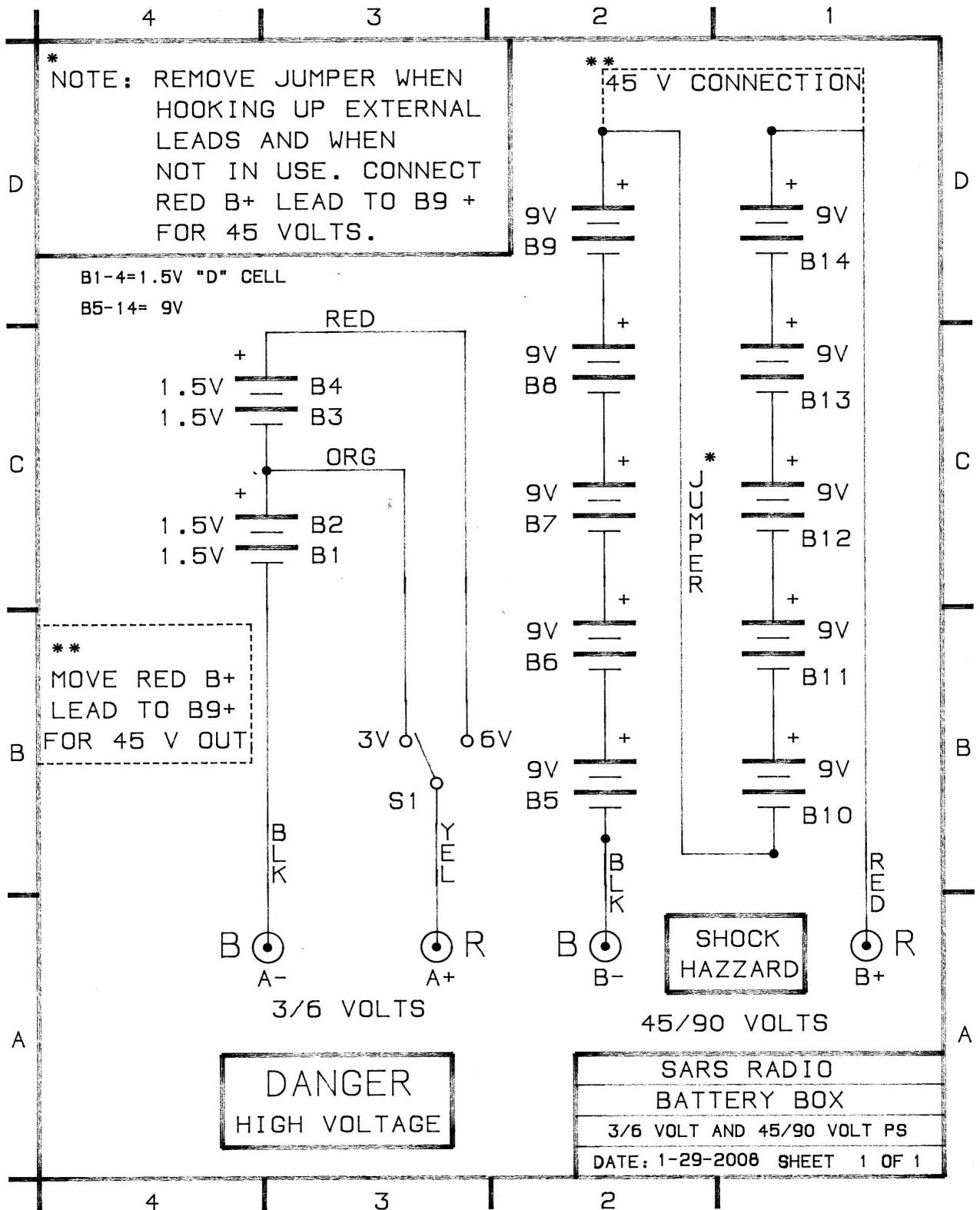
3 Volt / 6 Volt switch



D Cell layout/wiring

Jumper





- Being careful to not touch the terminals, un-package and lay the 9-volt batteries on their wide side on a flat smooth hard surface. The "Snap" them together in two "5 Packs" as shown in picture. Now you have two 45-Volt batteries. Place one of the 5 packs in front of you with the exposed terminals facing away from you and the "Negative" terminal to your left. The batteries should look like an inverted letter "T". Now place a 2" and 3" piece of double sided tape perpendicular to the long side of the batteries. Then take the other "5 Pack" and bond it to the first "5 Pack" this time with the "Positive"

terminal to your left. Carefully align the two “5 packs” before bonding. Then place another set of double-sided tape to the bottom of the bottom “5 Pack”. Then bond the battery pack to the cigar box as shown in picture.

5. Assemble the “D” cell battery pack (wrapping with electrical or masking tape will help) as shown in picture and schematic diagram. Be sure to alternate battery polarity. Using two 4” strips of double-sided tape, secure to cigar box. Be sure to have connection wires AND jumpers in place before securing to box.
6. Wire switch (S1) as shown in schematic (Note: use both sections of switch). Install as shown to inside of box with two ½” spacers and 4-40 screws.
7. Prepare 9-Volt snap on connectors and 9-Volt Jumper as shown. Tuck soldered end of jumper back into plastic cover for insulation.
8. Install Red and Black binding posts and label all connections Outside and Inside. Label switch S1 with 3/6-Volt positions.
9. Solder binding posts per diagram.
10. Snap on ONLY one end of JUMPER to the lower “5” pack 9 volt battery. This is the storage or off position.
11. The default position on the S1 switch should be 3 Volts.
12. Carefully connect the other end of the “Jumper” on the 9-Volt battery pack.

WARNING: All THE OUTPUT TERMINALS ARE LIVE AND 90 VOLTS IS A SHOCK HAZARD!

13. Using your voltmeter check the “A” supply, verify 3 Volts DC and that the Polarity is correct. Change S1 to the 6-Volt position. Verify output with voltmeter.
14. Change scale on voltmeter and verify 90 Volts DC output.
15. Disconnect Jumper and return S1 to 3-Volt position.
16. It is recommended that this battery pack be only hooked up to a radio while in use.
17. To use the 45-Volt output, disconnect the Jumper from both ends and move the Red snap lead to the Positive terminal of the lower “5 Pack”, verify 45-volt output with voltmeter.
18. Note: If desired other features can be added like an On-Off switch in place of the Jumper, a 1 ½ Volt output, Several more batteries for a “C” supply or a tap for 67 ½ volt needs etc.

Coming soon: A re-chargeable multi voltage battery pack that fits INSIDE your radio!

SARS Meeting Dates for 2008 - Mark Your Calendars!

Date	Show & Tell Topic	Meeting Topic	Speaker
Feb 11	Pre 1930 Post 1950 Radios	Nanotube radios	Bob Niven
March 10	AA5's and Clock Radios	TBD	TBD
April 14	Fancy Knobs, Grills, Dials	TBD	TBD
May 12	Tubes! Tiny, Huge, Strange, Valuable	TBD	TBD

Upcoming Radio Events 2007

Date	Event	Location	Contact
March 15	Kennehoochee Hamfest	Marietta, GA	www.w4bti.org
March 20-22	Charlotte AWA Antique Radio	Charlotte, NC	www.cc-awa.org
April 26	Calhoun Hamfest	Sugar Valley, GA	www.k4woc.com
May 3-4	Birmingham Hamfest	Birmingham, AL	www.w4cue.com

Directions to Doubletree – From Atlanta go North on GA 400 to Exit 7 Holcomb Bridge Road. Turn left toward Roswell. Take a left at Crystal and go up the hill.